

Index

Wood

- 04 - 05 Mata / Mata Curve / Mata Bench
- 06 - 07 Black Pearl / Black Pearl base /
Black Diamond / Black Diamond base
- 08 - 09 WAN 2060 / 2068 / 2075 front
- 10 WAN 2060 / 2068 / 2075 Black Edition Low
- 11 WAN 2060 / 2068 / 2075 Black Edition High
- 12 WAN 2060 / 2068 / 2075 Black Edition Wall
- 13 Linde
- 14 - 15 S 60 / 75 corner
- 16 Square 60 / 68 trilateral wall
- 17 Square 75 tunnel / Jules
- 18 - 19 Elm
- 20 - 21 Oak
- 22 - 23 Pecan Eco



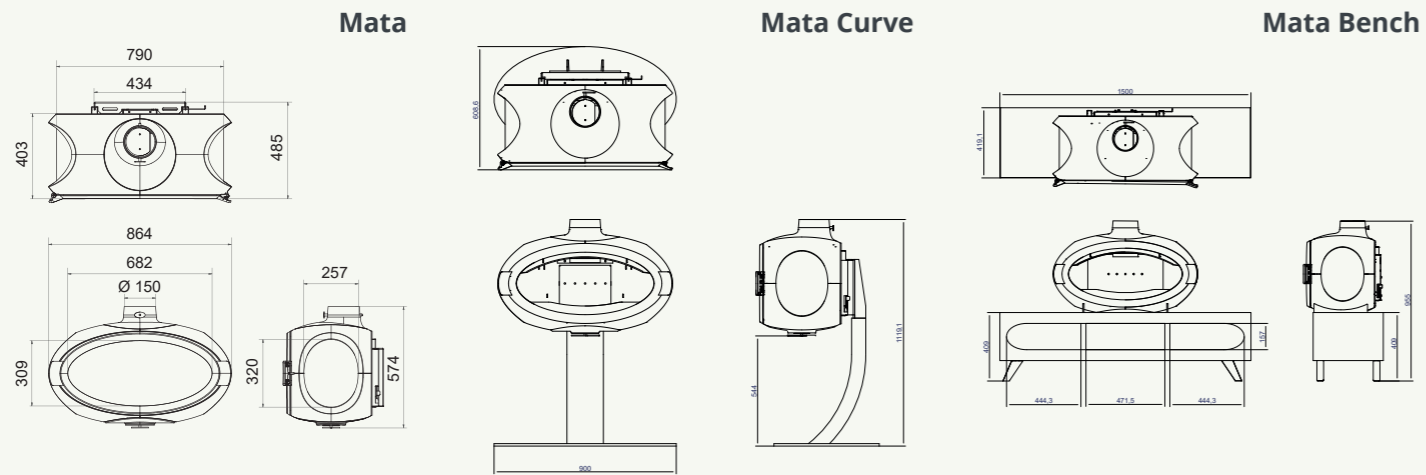


WOOD



wanders
fires & stoves

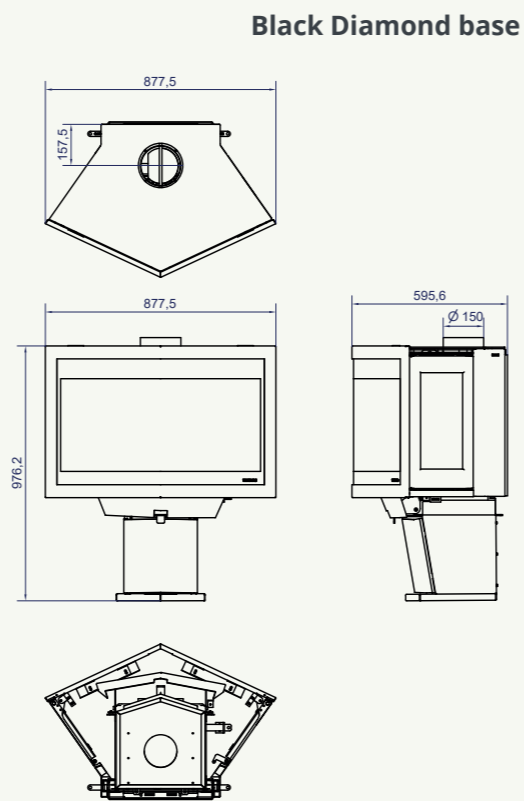
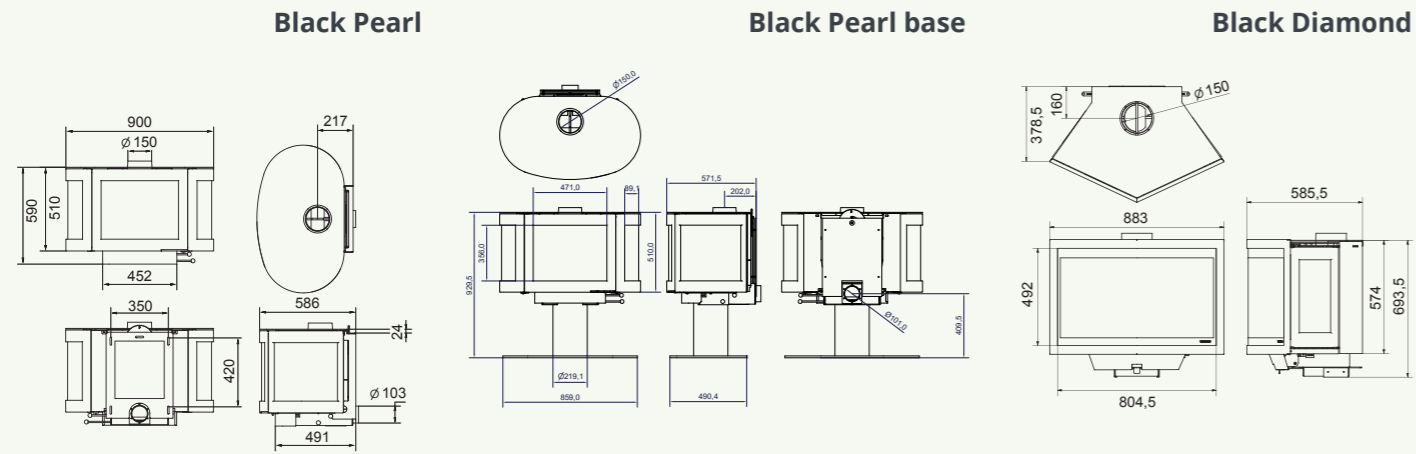
Mata / Mata Curve / Mata Bench



Mata | 5-8 kW

wanders
fires & stoves

Black Pearl / Black Pearl base / Black Diamond / Black Diamond base



Black Pearl: | 8-10 kW

Black Diamond: | 8-10 kW

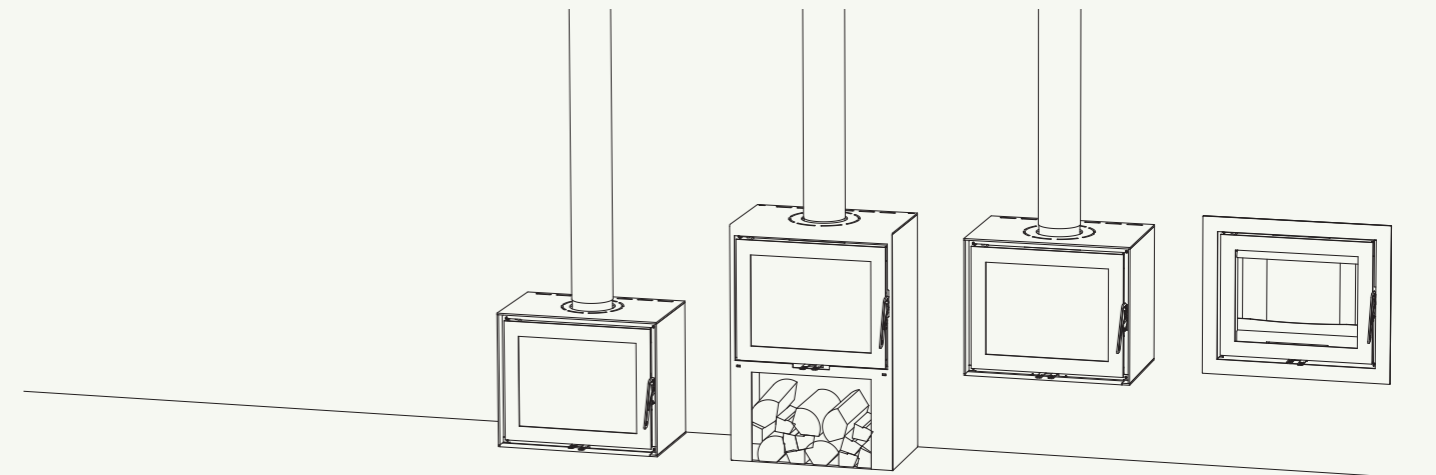
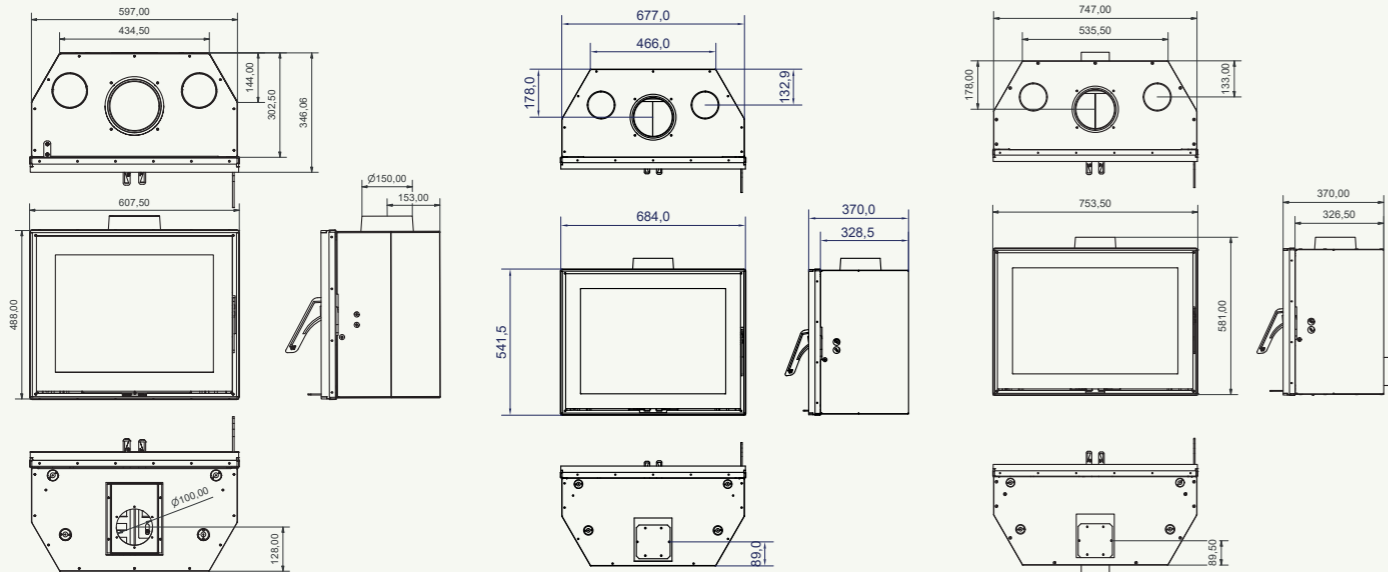
wanders
 fires & stoves

WAN 2060 /2068 / 2075 front

WAN 2060 front

WAN 2068 front

WAN 2075 front



	LOW	HIGH	WALL	INSERT
BLACK EDITION BOX WAN 2060 LOW	✓			
BLACK EDITION BOX WAN 2068 LOW	✓			
BLACK EDITION BOX WAN 2075 LOW	✓			
BLACK EDITION BOX WAN 2060 HIGH		✓		
BLACK EDITION BOX WAN 2068 HIGH		✓		
BLACK EDITION BOX WAN 2075 HIGH		✓		
BLACK EDITION BOX WAN 2060 WALL			✓	
BLACK EDITION BOX WAN 2068 WALL			✓	
BLACK EDITION BOX WAN 2075 WALL			✓	
WAN 2060 FRONT				✓
WAN 2068 FRONT				✓
WAN 2075 FRONT				✓

WAN 2060 front



WAN 2075 front



Door handle WAN



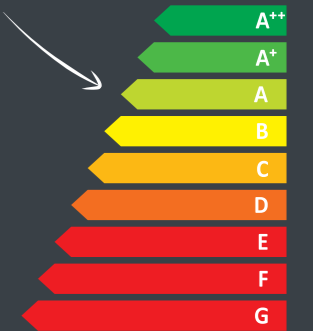
WAN 2060 front: | 5-7 kW



WAN 2068 front: | 6-8 kW



WAN 2075 front: | 7-9 kW

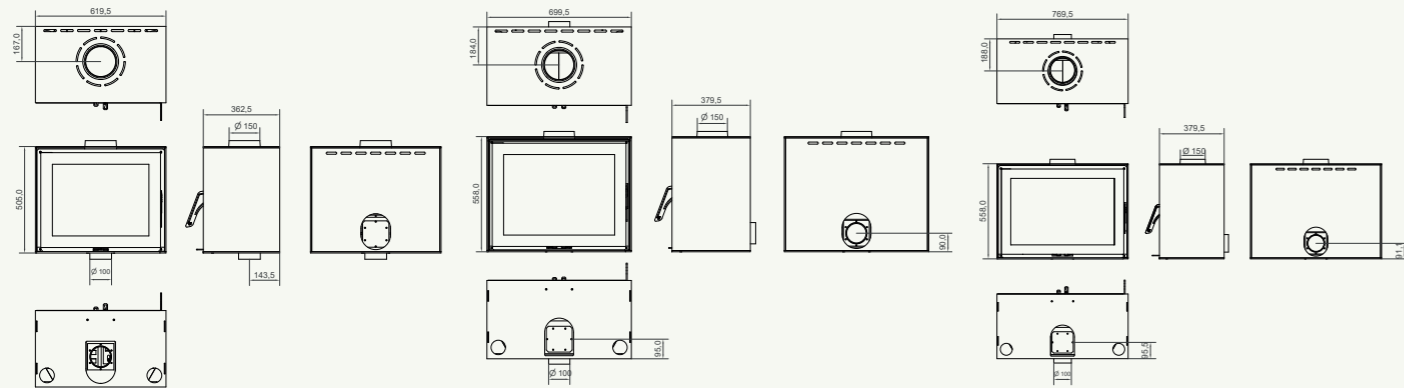


WAN 2060 /2068/ 2075 Black Edition Low

WAN 2060 Black Edition Low

WAN 2068 Black Edition Low

WAN 2070 Black Edition Low

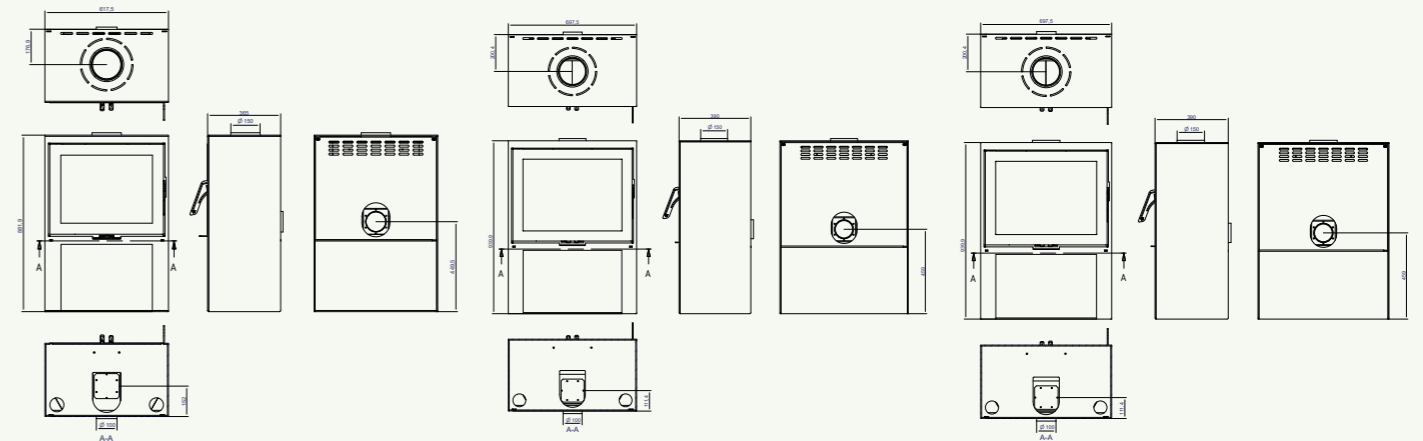


WAN 2060 /2068/ 2075 Black Edition High

WAN 2060 Black Edition High

WAN 2068 Black Edition High

WAN 2070 Black Edition High



WAN 2060 Black Edition Low



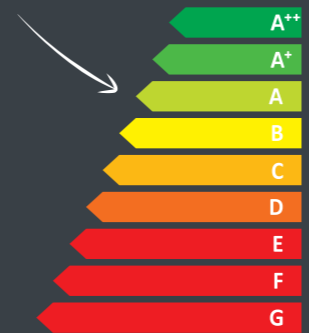
WAN 2060 Black Edition Low: | 5-7 kW



WAN 2068 Black Edition Low: | 6-8 kW



WAN 2075 Black Edition Low: | 7-9 kW



WAN 2060 Black Edition High



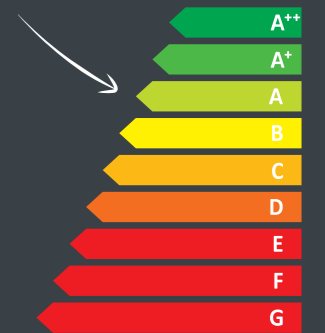
WAN 2060 Black Edition High: | 5-7 kW



WAN 2068 Black Edition High: | 6-8 kW

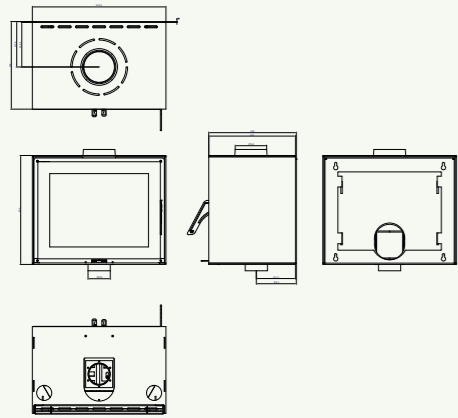


WAN 2075 Black Edition High: | 7-9 kW

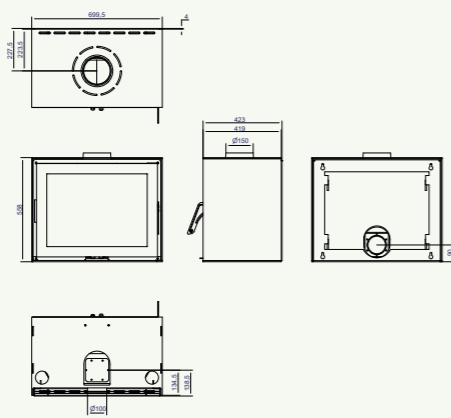


WAN 2060 /2068/ 2075 Black Edition Wall

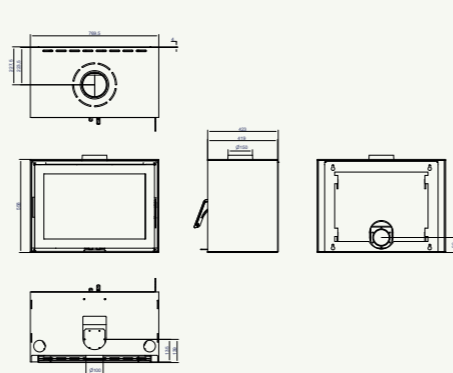
WAN 2060 Black Edition Wall



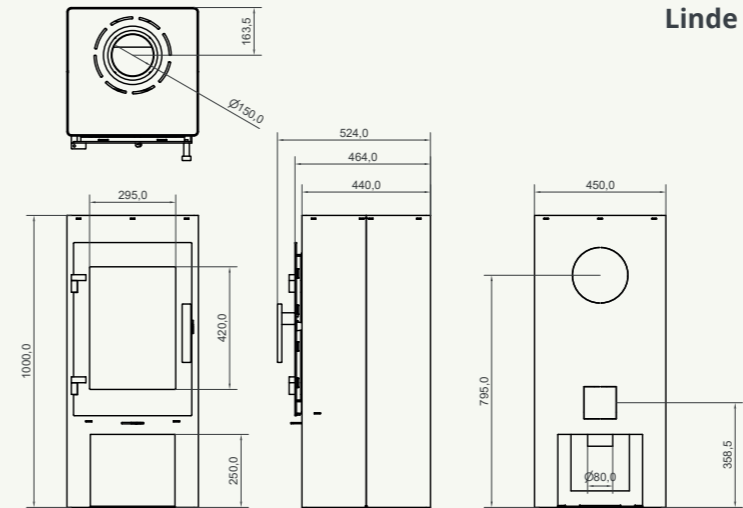
WAN 2068 Black Edition Wall



WAN 2070 Black Edition Wall



Linde



WAN 2060 Black Edition Wall



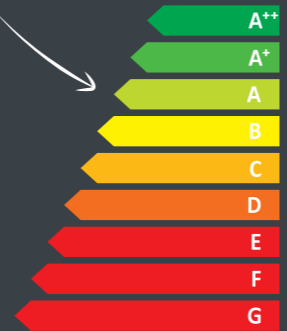
WAN 2060 Black Edition Wall: | 5-7 kW



WAN 2068 Black Edition Wall: | 6-8 kW



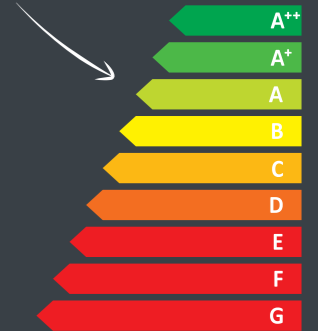
WAN 2075 Black Edition Wall: | 7-9 kW



Linde

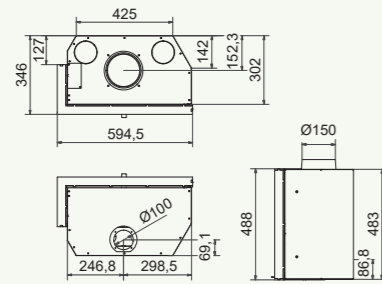


Linde | 5 - 7 kW

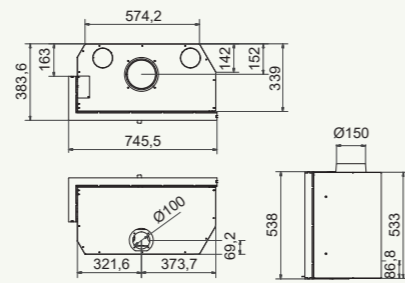


S 60 / 75 corner

S 60 corner



S 75 corner



S 75 corner



S 60 corner



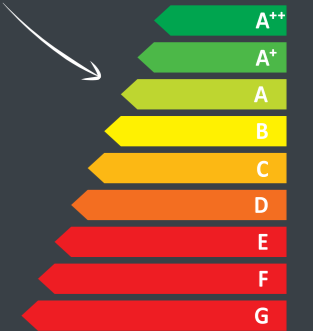
S 75 corner



S60 corner: | 5-7 kW

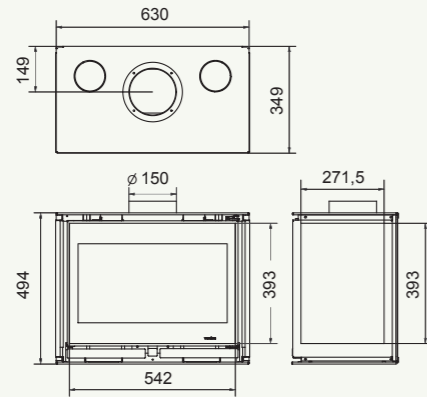


S75 corner: | 8-10 kW

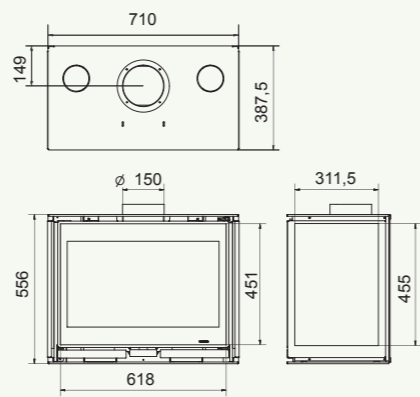


Square 60 / 68 trilateral & wall

Square 60 trilateral

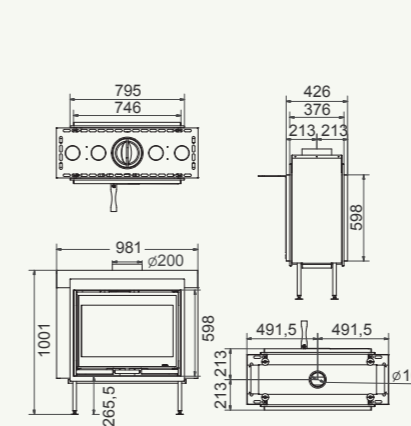


Square 68 trilateral

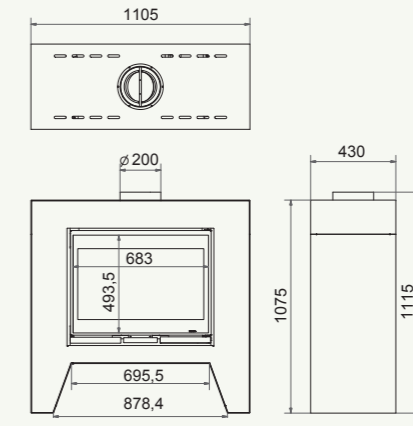


Square 75 tunnel / Jules

Square 75 tunnel



Jules



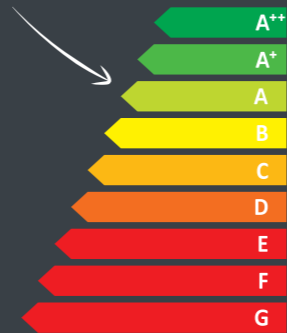
Square 60 trilateral



Square 60 trilateral | 5-7 kW



Square 68 trilateral | 7-9 kW



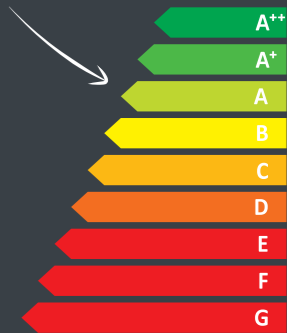
Jules



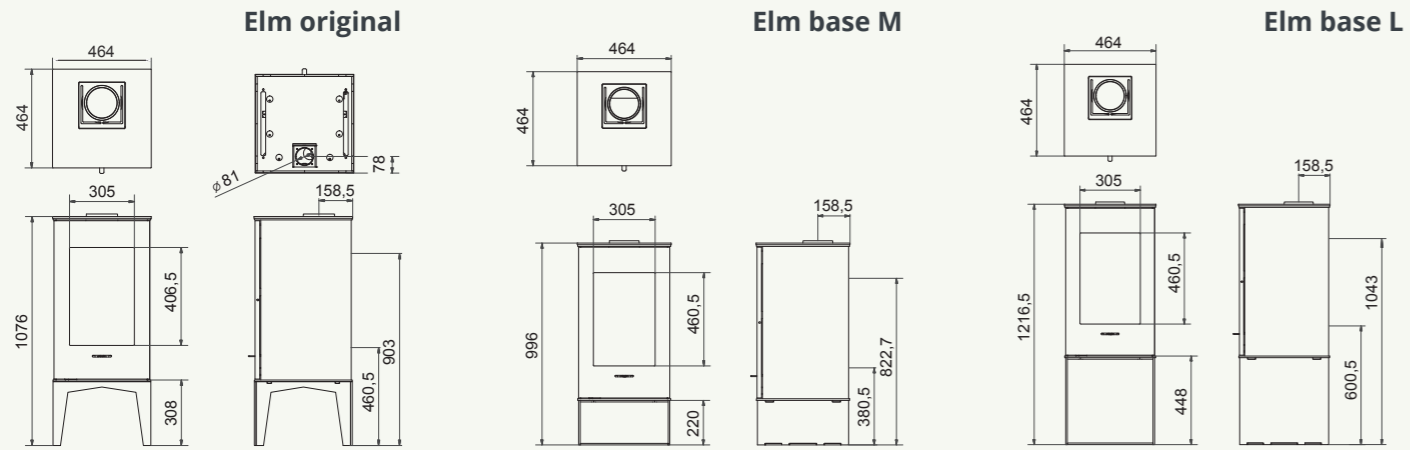
Square 75 tunnel | 13-16 kW



Jules | 13-16 kW



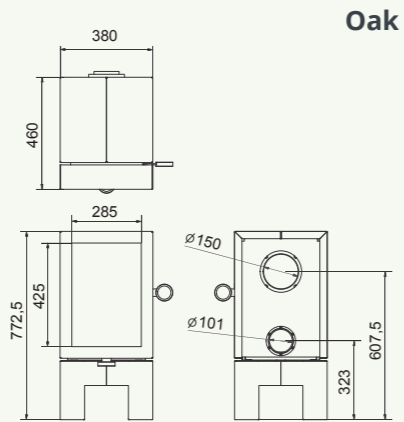
Elm



Elm | 5-8 kW

wanders
fires & stoves

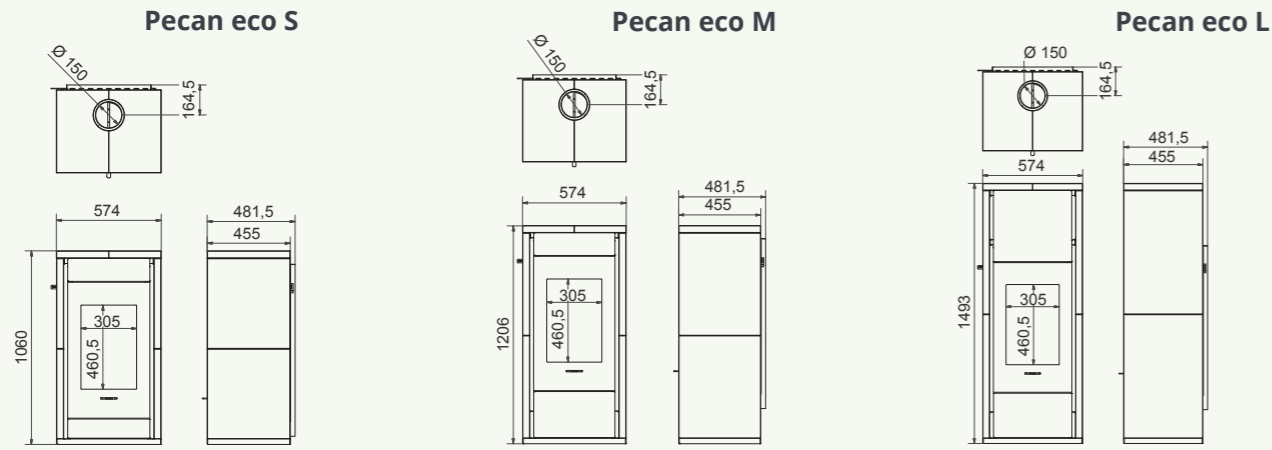
Oak



Oak | 3-5 kW

wanders
fires & stoves

Pecan eco



Pecan Eco | 4-9 kW

wanders
fires & stoves

